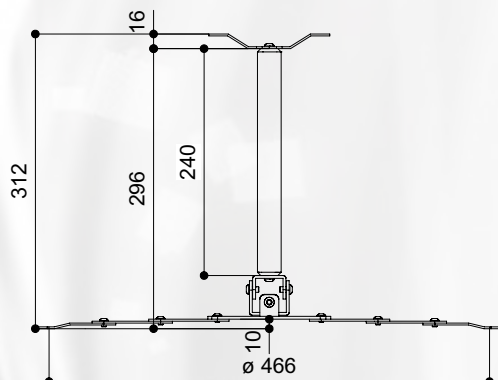
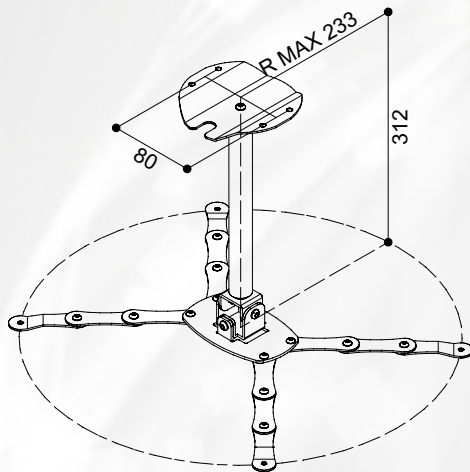


PROJECTOR ARM B-24

PROJECTOR ARM B-24 is made of strong metal and is supplied with a tube that enables to space out the projector 310 mm. from the ceiling.

- Bracket made with strong metal and painted with grey epoxy powders (RAL 9006)
- Maximum projector weight: kg. 15
- Approx. net weight: 1,2 kg
- Approx. gross weight: 1,5 kg.
- Supplied tube that distances the projector from the ceiling of 30 cm.
- Universal spider system completely hidden within the projector surface
- Kit includes several sizes of screws for fixing the projector to the bracket
- Up and down tilt: possibility of +/- 30° degrees



PROJECTOR ARM B-24

EUROSCREEN S.r.l.

Via Stiria, 45/16 - 33100 Udine - Italy

Tel. +39 0432 522755

info@screenint.com

www.screenint.com

