

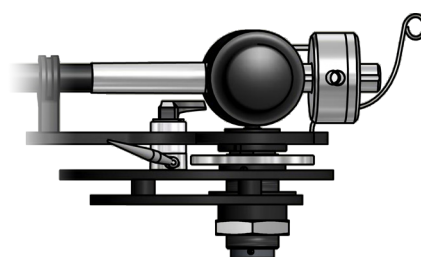
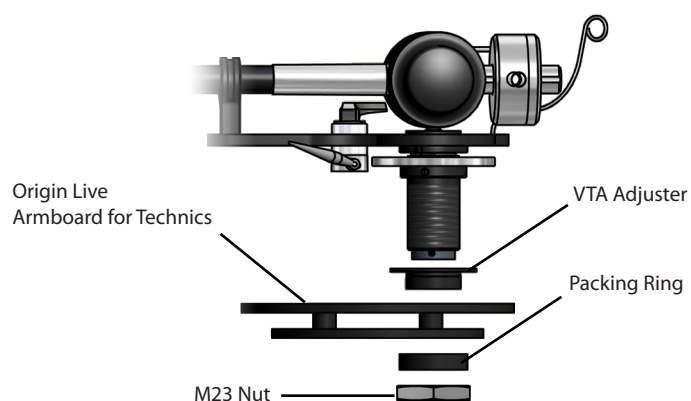


Rega Threaded VTA Adjuster

The Threaded VTA adjuster will suit all decks. It is simply a thin threaded collar which threads onto the Origin Live or Rega arm base. As the collar is rotated it raises and lowers the height of the arm. You need a mounting hole of 24mm diameter or over. If your armboard is less than 11mm thick you will also need a special packing ring. This adjuster works well on the Linn LP12. Fortunately Rega decks and many others have this diameter already as the hole for the Rega arm is tolerated sufficiently oversized. The threaded VTA adjuster initially raises the height of the rega arm by 2mm due to the top flange thickness - it can then raise the arm further by approx 10mm depending on the thickness of your armboard.

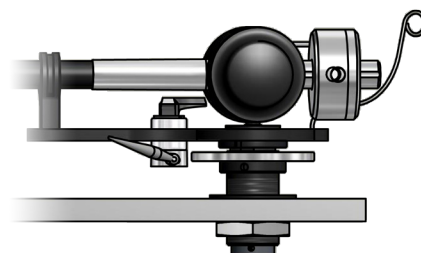
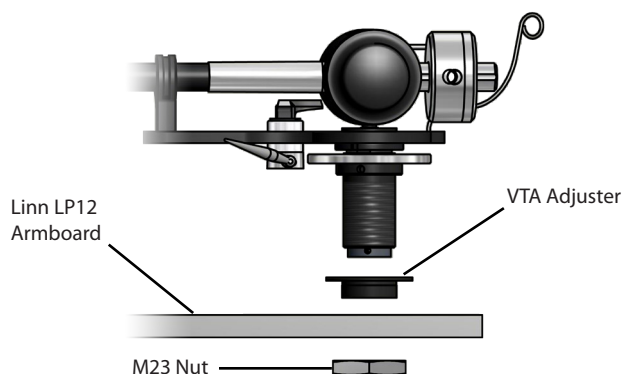
Installing on your Armboard

The order and position of the components required for the threaded VTA adjuster are as follows:



Installing on your Linn Armboard

The VTA Adjuster can be installed on your Linn LP12 armboard without the need for a packing ring:



We wish you many hours of enjoying your increased listening pleasure
Further tonearm upgrades and accessories are available at www.originlive.com

Origin Live, Unit 5, 362b Spring Road, Sholing, Southampton, SO19 2PB

www.originlive.com originlive@originlive.com