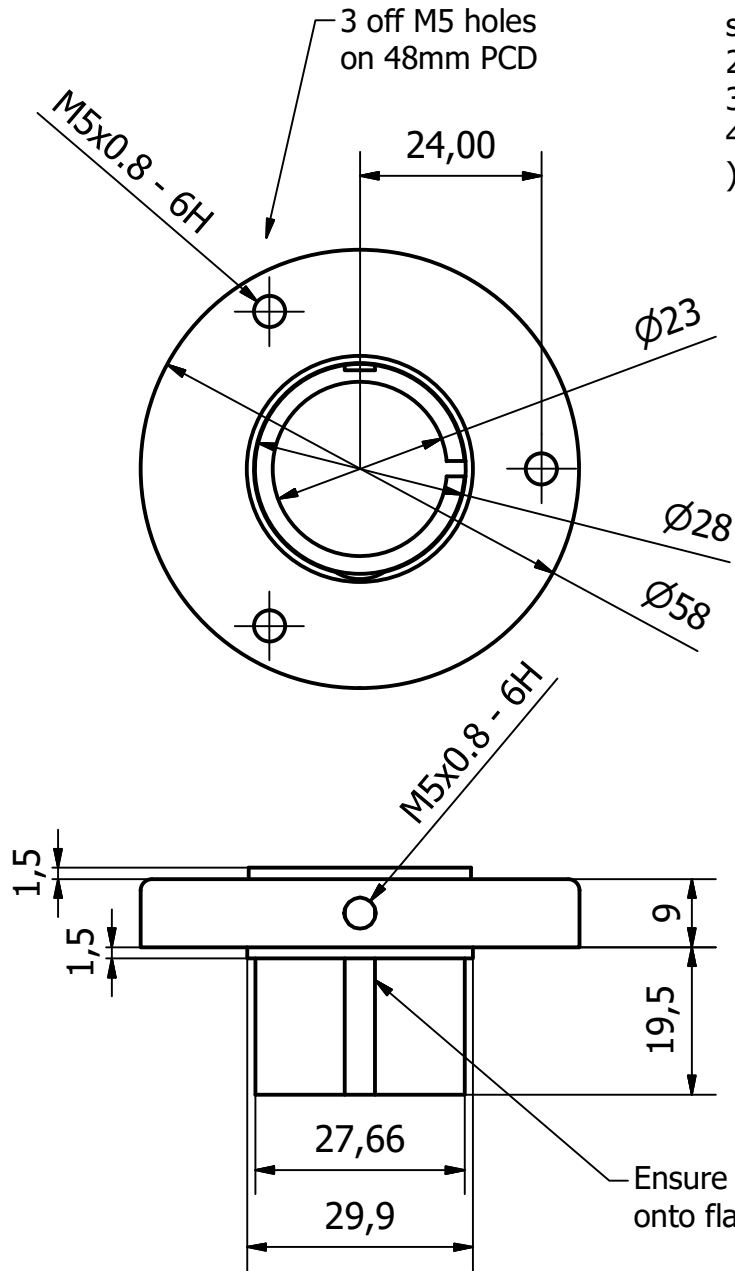


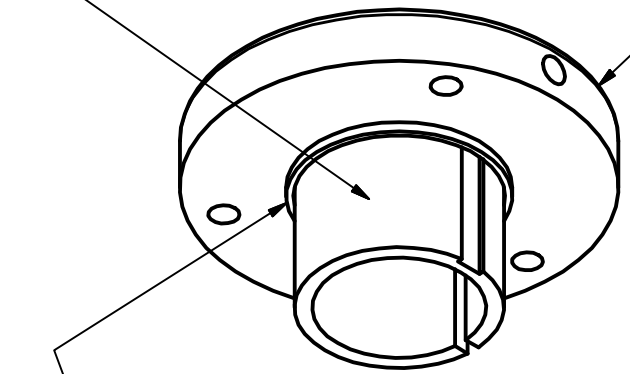
LINN MOUNT FOR ORIGIN LIVE ARMS

1. Clamp round base to top of Linn armboard using 3 off M5 Bolts. Hole in Linn armboard should be 30mm diameter or slightly larger
2. Insert sliding Sleeve
3. Insert Origin Live arm into sleeve
4. Clamp arm at desired height using grub screw in side of round base (Allen key 3mm A/F)

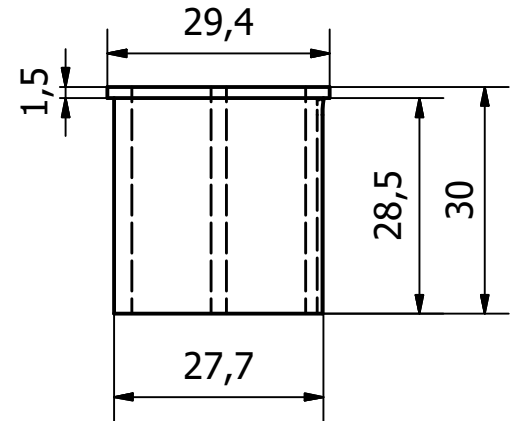


Sleeve slides up and down until clamped by M4 Grub screw

ROUND BASE
Clamped to Linn arm board



Locating rim for 30mm dia hole in Linn Armboards



SLIDING SLEEVE CLAMP

Ensure grub screw clamps onto flat groove

