

AUREA®



TRUE CINEMA SOUND AT HOME

# NEO

Aurea NEO unites our decades-long experience dealing with professional cinema sound, only delivered in smaller sizes now. This hybrid technology, composed of full-range European loudspeakers supported by a brilliant European tweeter, is capable of making you feel the same experience in your living room as the one experienced at commercial cinemas.

Aurea NEO is therefore aimed at living rooms with a TV set installed on the wall or over your furniture, and they are designed to work with commercial multichannel processors. All models can be desktop or wall-mounted as they include the necessary brackets, and are valid for either LCR screen channels, surrounds or ceilings.

**Front panels can be color customized, and the whole unit will be delivered to you in semi-matt white or black lacquered enclosures.**



# Neo 14

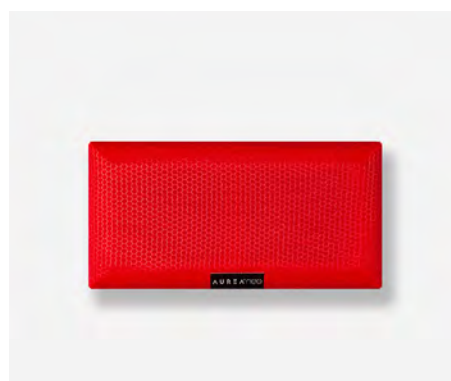
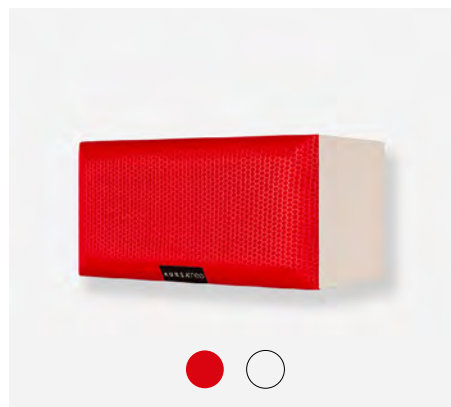
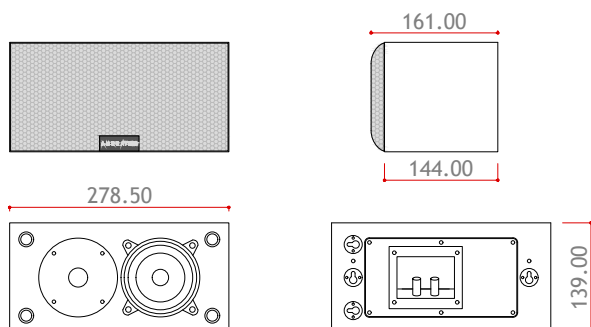
This small and versatile loudspeaker with a built-in passive filter can be used both for the screen channel (L, C and R), or as surround speaker and/or ceiling speaker for immersive sound.

Front panels can be color customized, and the whole unit will be delivered with semi-matt white or black lacquered enclosures.

**MCA** Media Center  
Audiovisual  
2 year guarantee

## Specifications

<b>Bass</b>	1 x 4" full range speaker
<b>Treble</b>	1 x 1" voice coil aluminium former TWT
<b>Horn</b>	Polar directivity
<b>Frequency</b>	85 Hz - 20 KHz.
<b>Power</b>	55W AES, 110W Prg. Nominal impedance 8 ohm.
<b>Sensitivity</b>	83dB/2,83V. Max SPL 104dB
<b>Size</b>	13.80 x 27.70 x 16.00 cm.
<b>Weight</b>	Net 3 kg.





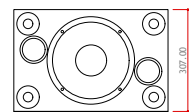
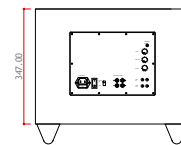
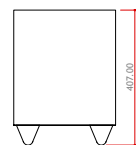
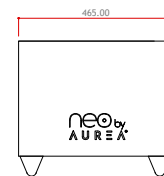
# Neo 10 SUB

This small self-powered subwoofer unit surprises with its power and punch. It can be located in any corner of the room, connected to the Sub output without amplification of the commercial processor. Includes "Level", "Cut off frequency" and "Phase" regulation.

**MCA** Media Center  
Audiovisual  
2 year guarantee

## Specifications

<b>Bass</b>	1 x 10" 250W AES subwoofer speaker and 3" voice coil.
<b>Horn</b>	Polar directivity
<b>Frequency</b>	From 35Hz.
<b>Power</b>	145W AES, 290W Prg. Nominal impedance 4 ohm.
<b>Sensitivity</b>	Max SPL 118dB/1m.
<b>Size</b>	40 x 46 x 31 cm.
<b>Weight</b>	Net 15.50 kg.
<b>Weight</b>	Net 6 kg.



# Neo 24

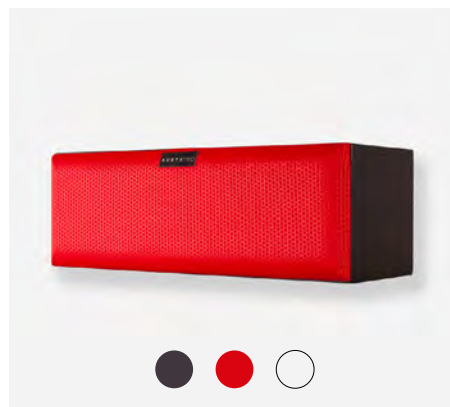
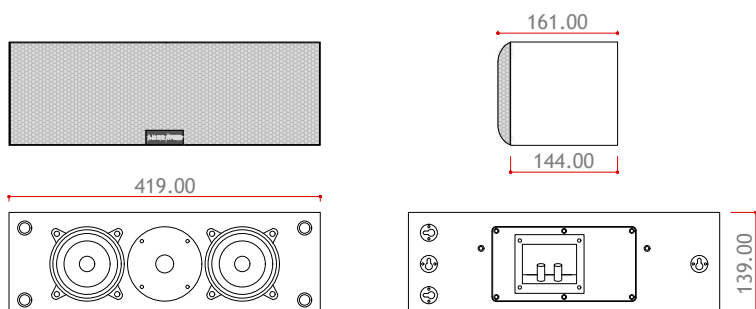
This versatile medium-sized loudspeaker with a built-in passive filter can be used both for the screen channel (L, C and R), or as surround speaker and/or ceiling speaker for immersive sound.

Front panels can be color customized, and the whole unit will be delivered with semi-matt white or black lacquered enclosures.

**MCA** Media Center  
Audiovisual  
2 year guarantee

## Specifications

<b>Bass</b>	2 x 4" full range speaker
<b>Treble</b>	1 x 1" voice coil aluminium former TWT
<b>Horn</b>	Polar directivity
<b>Frequency</b>	85 Hz - 20 KHz.
<b>Power</b>	85W AES, 170W Prg. Nominal impedance 4 ohm.
<b>Sensitivity</b>	88dB/2,83V. Max SPL 112dB
<b>Size</b>	13.80 x 41.70 x 16.00 cm.
<b>Weight</b>	Net 4.5 kg.



# Neo 44

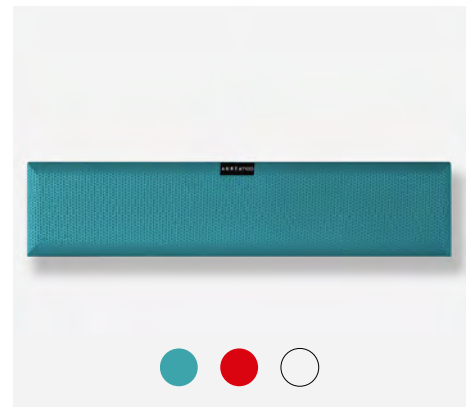
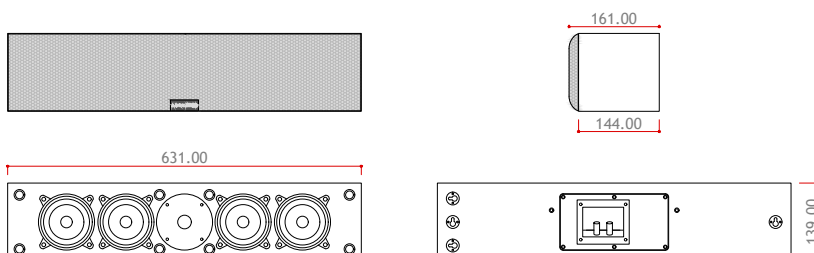
This versatile loudspeaker with a built-in passive filter can be used both for the screen channel (L, C and R), or as surround speaker and/or ceiling speaker for immersive sound.


Front panels can be color customized, and the whole unit will be delivered with semi-matt white or black lacquered enclosures.

**MCA** Media Center  
Audiovisual  
2 year guarantee

## Specifications

<b>Bass</b>	4 x 4" full range speaker
<b>Treble</b>	1 x 1" voice coil aluminium former TWT
<b>Horn</b>	Polar directivity
<b>Frequency</b>	85 Hz - 20 KHz.
<b>Power</b>	145W AES, 290W Prg. Nominal impedance 8 ohm.
<b>Sensitivity</b>	88,8dB/2,83V. Max SPL 114dB
<b>Size</b>	13.80 x 63.00 x 16.00 cm.
<b>Weight</b>	Net 6 kg.





# Ceiling systems

Using high-quality European coaxial components, we achieve the 90 degree conical directivity required for Atmos installations. The models shown here are intended for large Premium installations.



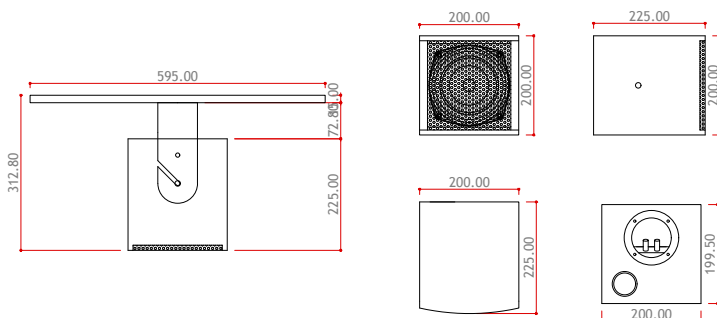
# Aurea Coaxial 6

With all our commercial cinema technology inside, this high-definition state-of-the-art surround system is suitable for any Atmos or Barco Auro high demand VIP Theatre installation. The special internal passive processor delivers the best possible response for a Hi End curve, with a very smooth EQ working. This superb speaker is delivered with a powerful 6" coaxial driver, an U-bracket support for easy pan/tilt, and a Laser device to help adjusting the perfect aim of the unit.

**MCA** Media Center  
Audiovisual  
5 year guarantee

## Specifications

<b>Bass</b>	1 x 6" coaxial driver
<b>Treble</b>	1 x 1" coaxial compression driver
<b>Horn</b>	Directivity 90° x 90°
<b>Frequency</b>	(-10dB) 60 to 20.000 Hz.
<b>Power</b>	200W AES, 400W Prg. Nominal impedance 8 ohm.
<b>Sensitivity</b>	"94dB/1W/1m. Free field Max. SPL 117dB with musical criteria"
<b>Size</b>	200 x 200 x 225 mm
<b>Weight</b>	Net 7.1 kg





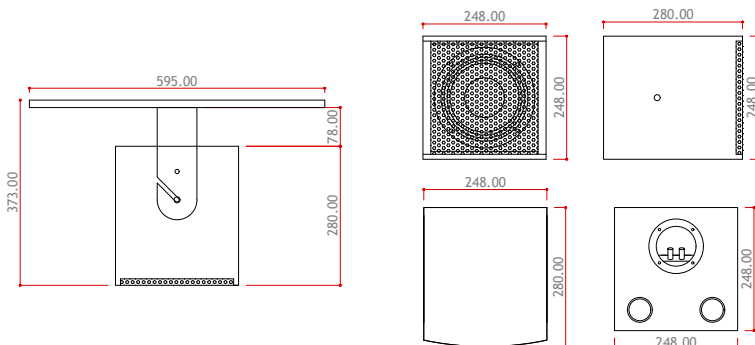
# Aurea Coaxial 8

With all our commercial cinema technology inside, this high-definition state-of-the-art surround system is suitable for any Atmos or Barco Auro high demand VIP Theatre installation. The special internal passive processor delivers the best possible response for a Hi End curve, with a very smooth EQ working. This superb speaker is delivered with a powerful 8" coaxial driver, an U-bracket support for easy pan/tilt, and a Laser device to help adjusting the perfect aim of the unit.

**MCA** Media Center  
Audiovisual  
5 year guarantee

## Specifications

<b>Bass</b>	1 x 8" coaxial driver
<b>Treble</b>	1 x 1" coaxial compression driver
<b>Horn</b>	Directivity 90° x 90°
<b>Frequency</b>	(-10dB) 60 to 20.000 Hz.
<b>Power</b>	250W AES, 500W Prg. Nominal impedance 8 ohm.
<b>Sensitivity</b>	"94dB/1W/1m. Free field Max. SPL 117dB with musical criteria"
<b>Size</b>	248 x 248 x 280 mm
<b>Weight</b>	Net 10 kg



# In-Wall Systems

While our In-Wall series is the standard for our Silver configuration, these models can also be mounted for surround and ceiling uses at any size installation. Their size meets international standards for "In-Wall" installations, and the horn loaded treble contributes nicely to our "True Cinema Sound at Home" sound.

Introducing a new mounting hardware on all our In-Wall full range models. This will make it easier for installers to hang on walls and/or ceilings.



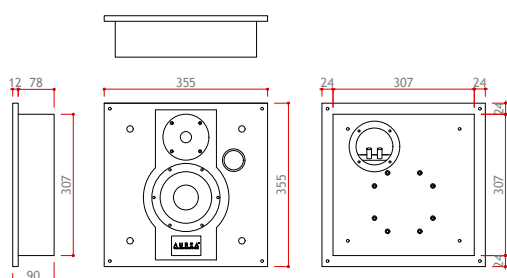
# Aurea In-Wall 5

This ultra compact speaker, the smallest of the Aurea IW range, can be used as a screen, surround or ceiling system for any small sized room. Its narrow depth allows it to be embedded inside the wall or inside the ceiling to achieve a better looking result. This model's performance, together with its state-of-the-art European components for both bass and treble that deliver a linear response up to 20Khz, make it a superb In Wall system of the Aurea family. It features a high resistance polyurea coating. There is an option of metallic coverings or fabric grills painted in the customer color choice.

**MCA** Media Center  
Audiovisual  
5 year guarantee

## Specifications

<b>Bass</b>	1 x 5.5" driver with 1.5" Voice Coil
<b>Treble</b>	1 x 1" TWT
<b>Horn</b>	90 x 90
<b>Frequency</b>	48Hz to 20Khz
<b>Power</b>	150W AES, 300W Prg. Nominal Impedance 8 ohm
<b>Sensitivity</b>	85dB/1W/1m. Max SPL 107dB
<b>Size</b>	355 x 355 x 90 mm
<b>Weight</b>	Net 5 kg



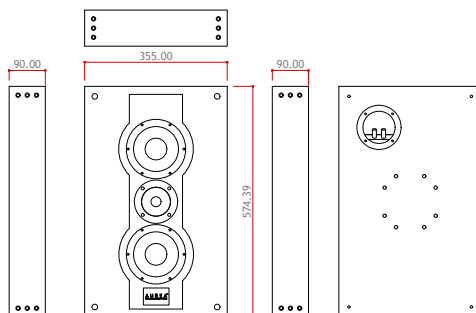


# Aurea In-Wall 5+5

This compact speaker can be used as a screen, surround or ceiling system for any medium or small sized room. Its narrow depth allows it to be embedded inside the wall or inside the ceiling to achieve a better looking result. This model's performance, together with its state-of-the-art European components for both bass and treble that deliver a linear response up to 20Khz, make it a superb In Wall system of the Aurea family. It features a high resistance polyurea coating. There is an option of metallic coverings or fabric grills painted in the customer color choice.

**MCA** Media Center  
Audiovisual  
5 year guarantee

Specifications	
<b>Bass</b>	2 x 5.5" driver with 1.26" Voice Coil
<b>Treble</b>	1 x 1" compression driver horn loaded
<b>Horn</b>	60 x 60
<b>Frequency</b>	60Hz to 20Khz
<b>Power</b>	"270W AES, 540W Prg. Nominal Impedance 4 ohm"
<b>Sensitivity</b>	93dB/1W/1m. Max SPL 117dB
<b>Size</b>	574 x 355 x 90 mm
<b>Weight</b>	Net 8 kg





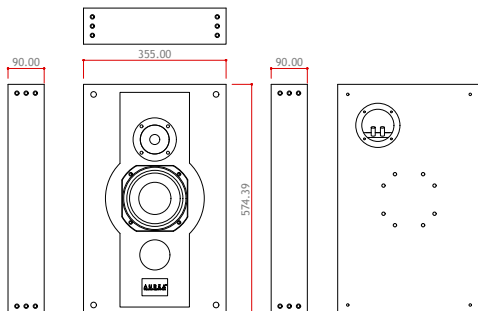
# Aurea In-Wall 6

This small and compact speaker can be used both as a surround system for big rooms or as screen system for smaller ones. Its narrow depth allows it to be embedded inside the wall to achieve a better looking result. This model's performance, together with its state-of-the-art European components for both bass and treble that deliver a linear response up to 20Kz, make it a superb entry level to the Aurea family. It features a high resistance polyurea coating. There is an option of metallic coverings or fabric grills painted in the customer color choice.

**MCA** Media Center  
Audiovisual  
5 year guarantee

## Specifications

<b>Bass</b>	1 x 6" driver
<b>Treble</b>	1 x 1" compression driver horn loaded
<b>Horn</b>	60 x 60
<b>Frequency</b>	50Hz/20Khz
<b>Power</b>	"230W AES, 460W Prg. Nominal impedance 8 ohm"
<b>Sensitivity</b>	91.6dB/1W/1m. Max SPL 115.2 dB
<b>Size</b>	574 x 355 x 90 mm
<b>Weight</b>	Net 7.9 kg



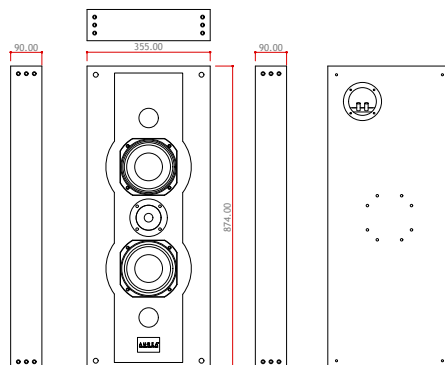
# Aurea In-Wall 6+6

This compact speaker can be used both as a surround system for big rooms or as screen system for medium sized ones. Its narrow depth allows it to be embedded inside the wall to achieve a better looking result. This model's performance, together with its state-of-the-art European components for both bass and treble that deliver a linear response up to 20Khz, make it a superb In Wall system of the Aurea family. It features a high resistance polyurea coating. There is an option of metallic coverings or fabric grills painted in the customer color choice.

**MCA** Media Center  
Audiovisual  
5 year guarantee

## Specifications

<b>Bass</b>	2 x 6" driver
<b>Treble</b>	1 x 1" compression driver horn loaded
<b>Horn</b>	60 x 60
<b>Frequency</b>	48Hz to 20Khz
<b>Power</b>	"430W AES, 860W Prg. Nominal impedance 4 ohm"
<b>Sensitivity</b>	95.4dB/1W/1m. Max SPL 122 dB
<b>Size</b>	874 x 355 x 90 mm
<b>Weight</b>	Net 11.9 kg

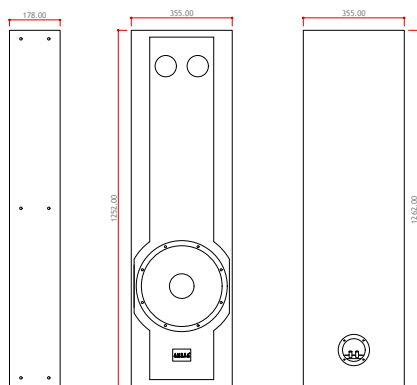


# Aurea In-Wall 12 Sub

This In-Wall passive superb subwoofer system of the Aurea family features a state-of-the-art 12" European component to achieve the power and impact of modern soundtrack bass lines, reaching 23Hz. It features a high resistance polyurea coating.

**MCA** Media Center  
Audiovisual  
5 year guarantee

Specifications	
<b>Bass</b>	1 x 12" driver with 2" Voice Coil
<b>Horn</b>	Polar directivity
<b>Frequency</b>	23Hz to 150Hz
<b>Power</b>	450W Prg. Nominal impedance 8 ohm
<b>Sensitivity</b>	94.5dB/1W/1m. Max SPL 117dB
<b>Size</b>	1262 x 355 x 178 mm
<b>Weight</b>	Net 24.5 kg



# Screen Systems

This series is the result of our 30-year experience in commercial cinema audio, which was a key element in achieving our "True Cinema Sound at Home" for the near field. The use of professional components provides the high sensitivity of the systems, while the treble from our horn loaded units ensure perfect intelligibility.

**Professional cinema is known to use horn compression drivers, and not treble tweeters as some respected Hi End brands do. But treble tweeters fall short of cinema standards. The use of DSP optimizes the response of our systems.**



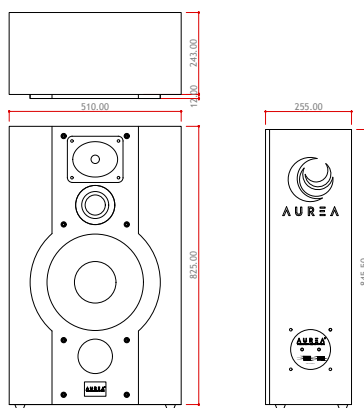
# Aurea 17

A superb 3-way screen speaker delivering Hi-End quality and a perfectly flat response, with 355W power helped by an internal crossover fitted with Mundorf components. A very warm timbre, and a perfectly distributed treble response thanks to the 90°x40° horn. It creates the best sound reproduction possible for professional medium/small sized high-end home theatre installations featuring Dolby 7.1, Dolby Atmos or Barco Auro. Finished with a high resistance polyurea coating, Hi-End connectors and front trim lacquered finishing.

**MCA** Media Center  
Audiovisual  
5 year guarantee

## Specifications

<b>Bass</b>	1 x 12" driver with 2" Voice Coil
<b>Treble</b>	"1 x 5"" driver with 1.26"" Voice Coil 1"" compression driver with 1"" Voice Coil"
<b>Horn</b>	90° horizontal beamwidth x 40° vertical beamwidth
<b>Frequency</b>	35Hz to 30Khz
<b>Power</b>	"355W AES, 710W Prg. Nominal impedance 8 ohm"
<b>Sensitivity</b>	95dB/1W/1m. Max SPL 119.4 dB
<b>Size</b>	845 x 510 x 255 mm
<b>Weight</b>	Net 33.5 kg



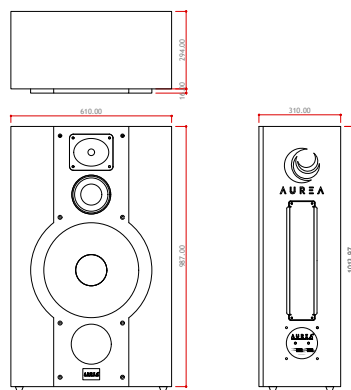
# Aurea 22

This formidable and amazing 3-way screen speaker is one of our state-of-the-art premium products. Delivering a perfectly flat response, it features Hi-End quality and a power delivery of 925W for external amplification, helped by an internal crossover/processor that divides the high, medium and bass frequencies. The treble unit is "horn loaded" achieving true cinema sound at home. Designed for either professional dubbing theatres, VIP Cinemas or high-end home theatre installations featuring Dolby 5.1 or 7.1, Atmos, DTS-X, Auro or any multichannel system. It features a high resistance polyurea coating, Hi-End connectors and front trim lacquered finishing.

**MCA** Media Center  
Audiovisual  
5 year guarantee

## Specifications

<b>Bass</b>	1 x 15" driver with 4" Voice Coil
<b>Treble</b>	"1 x 6" driver with 1.75" Voice Coil 1 x 1" compression driver with 1" Voice Coil"
<b>Horn</b>	90° horizontal beamwidth x 40° vertical beamwidth
<b>Frequency</b>	30Hz to 30Khz
<b>Power</b>	"925W AES, 1850W Prg. Nominal Impedance 8 ohm"
<b>Sensitivity</b>	96.4dB/1W/1m. Max SPL 125 dB
<b>Size</b>	1014 x 610 x 310 mm
<b>Weight</b>	Net 52 kg



# Aurea 26

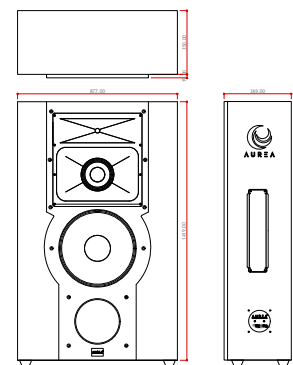
This formidable and amazing 3-way screen speaker is our state-of-the-art premium product. Delivering a perfectly flat response, it features Hi-End quality and a power delivery of 700+470W for external bi-amplification, helped by an internal crossover that divides the high and medium frequencies. Both the medium and treble units are "horn loaded". Designed for either professional dubbing theatres or high-end home theatre installations featuring Dolby Atmos or Barco Auro. It features a high resistance polyurea coating, Hi-End connectors and front trim lacquered finishing.

**MCA** Media Center  
Audiovisual

5 year guarantee

## Specifications

<b>Bass</b>	1 x 18" driver with 4" Voice Coil
<b>Treble</b>	"1 x 8" driver with 2.5" Voice Coil 1 x 1" compression driver with 1.35" Voice Coil"
<b>Horn</b>	70° x 40° for mid-high range
<b>Frequency</b>	(-3dB) 30/30.000Hz.
<b>Power</b>	"Bass unit, 700W AES, 1400W Prg. Mid-high range, 340W AES, 680W Prg."
<b>Impedance 8+4 ohm</b>	
<b>Sensitivity</b>	"Bass: 100dB/1W/1m. Half space. 134.5dB SPL peak Mid-high: 97dB/1W/1m. Free field. 128.3dB SPL peak"
<b>Size</b>	1474 x 877 x 369 mm
<b>Weight</b>	Net 95 kg



# Aurea 26 DSP

This formidable and amazing 3-way self-powered screen speaker is our state-of-the-art premium product. Delivering a perfectly flat response, it features Hi-End quality and a power delivery of 800+400W. The integrated european-built amplifier with DSP includes 4 factory made presets and is helped by an internal crossover that divides the high and medium frequencies. Both the medium and treble units are "horn loaded". Designed for high-end home theatre installations featuring Dolby Atmos or Barco Auro. It features a high resistance polyurea coating and front trim lacquered finishing.

Presets included:

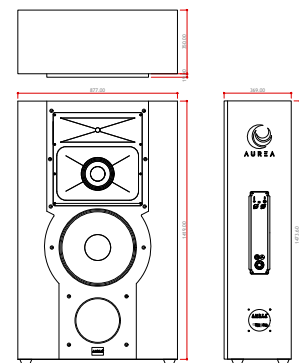
- 1.- Cut off 63Hz
- 2.- Cut off 63Hz polarity reverse
- 3.- Cut off 80Hz
- 4.- Cut off 80 Hz polarity reverse

**MCA** Media Center  
Audiovisual

5 year guarantee

## Specifications

<b>Bass</b>	1 x 18" driver with 4" Voice Coil
<b>Treble</b>	"1 x 8"" driver with 2.5"" Voice Coil 1 x 1"" compression driver with 1.35"" Voice Coil"
<b>Horn</b>	70° x 40° for mid-high range
<b>Frequency</b>	(-3dB) 30/30.000Hz.
<b>Power</b>	Self powered unit, 800+400W with DSP
<b>Sensitivity</b>	"Bass: 100dB/1W/1m. Half space. 134.5dB SPL peak Mid-high: 97dB/1W/1m. Free field. 128.3dB SPL peak"
<b>Size</b>	1474 x 877 x 369 mm
<b>Weight</b>	Net 98.5 kg





# Surround Systems

Presenting our Aurea 10, which inherits all our commercial cinema technology, and is specially designed for large Premium installations. Our In Wall series has several systems that cover all your surround needs.



# Aurea 10

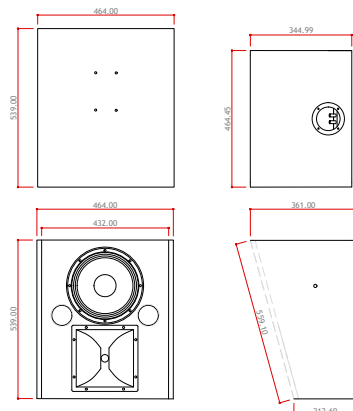
With all our commercial cinema technology inside, this high-definition state-of-the-art surround system is suitable for any high demand VIP Theatre. The special internal passive processor delivers the best possible response for a Hi End curve, with a very smooth EQ working. This superb surround system is delivered with a powerful 10" and a sweet 1" compression driver.

**MCA** Media Center  
Audiovisual

5 year guarantee

## Specifications

<b>Bass</b>	1 x 10" driver
<b>Treble</b>	1 x 1" compression driver
<b>Horn</b>	90° x 40° biradial 1" horn LW1101HFD
<b>Frequency</b>	(-10 dB) 48 to 22.000 Hz.
<b>Power</b>	"225W AES, 450 W Prg. Nominal impedance 8 ohm."
<b>Sensitivity</b>	99.9dB/1W/1m. Free field. Max SPL 123.4dB
<b>Size</b>	539 x 464 x 361 mm
<b>Weight</b>	Net 19 kg



A modern cinema interior with a subwoofer system. The ceiling features several large, rectangular, perforated metal panels in a dark red color. Several bright spotlights are mounted on the ceiling, creating a dramatic lighting effect. The walls are dark, and the floor is covered in a dark carpet. In the foreground, a large, red, tufted cushion is visible, suggesting a comfortable seating area. The overall atmosphere is sophisticated and high-tech.

# Subwoofers Systems

The viscerality of modern movie soundtracks can only be achieved with these subwoofer systems, which incorporate professional high-sensitivity components and optional DSPs.



# Aurea 15 Sub

Designed for Dolby Atmos and/or any immersive sound systems available the market. Cinemas VIP lounges, high-end Home Theaters or Dubbing Theaters.

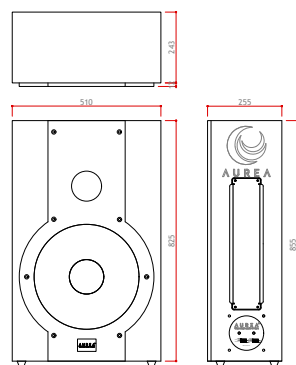
This formidable and amazing subwoofer screen speaker was born to work with our Aurea 17 model. Our passive subwoofer speaker features a 15" inch component to achieve the power and impact of modern soundtrack bass lines, reaching 30Hz. It features a high resistance polyurea coating, Hi-End connectors and front trim lacquered finishing.

**MCA** Media Center  
Audiovisual

5 year guarantee

## Specifications

<b>Bass</b>	1 x 15" driver with 3" Voice Coil
<b>Horn</b>	Polar directivity
<b>Frequency</b>	From 30Hz.
<b>Power</b>	"700W AES, 1400W Prg. Nominal impedance 8 ohm"
<b>Sensitivity</b>	100dB/1W/1m. Max SPL 131.5dB
<b>Size</b>	845 x 510 x 255 mm
<b>Weight</b>	Net 32 kg





# Aurea 15 Sub DSP

Designed for Dolby Atmos and/or any immersive sound systems available the market. Cinemas VIP lounges, high-end Home Theaters or Dubbing Theaters.

This formidable and amazing subwoofer screen speaker was born to work with our Aurea 17 model. Our self-powered subwoofer features a 15" inch speaker to achieve the power of modern soundtrack bass lines, reaching 30Hz. Its integrated european-built amplifier with DSP includes 4 factory made presets that allow different frequency cuts at 60 and 80 Hz with phase inversion. It features a high resistance polyurea coating and front trim lacquered finishing.

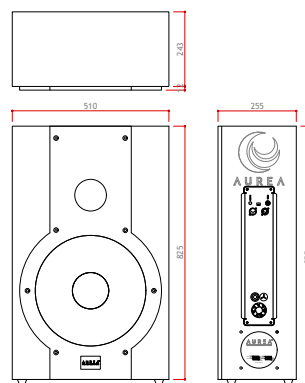
Presets included:

- 1.- Cut off 63Hz
- 2.- Cut off 63Hz polarity reverse
- 3.- Cut off 80Hz
- 4.- Cut off 80 Hz polarity reverse



## Specifications

<b>Bass</b>	1 x 15" driver with 3" Voice Coil
<b>Horn</b>	Polar directivity
<b>Frequency</b>	From 30Hz.
<b>Power</b>	"700W AES, 1400W Prg. Nominal impedance 8 ohm"
<b>Sensitivity</b>	100dB/1W/1m. Max SPL 131.5dB
<b>Size</b>	845 x 510 x 255 mm
<b>Weight</b>	Net 33 kg



# Aurea 18 Sub

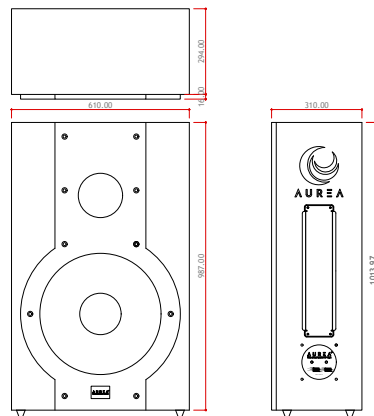
This formidable and amazing subwoofer screen speaker was born to work with our Aurea 22 model. Our passive subwoofer speaker features a 18" inch component to achieve the power and impact of modern soundtrack bass lines, reaching 20Hz. It features a high resistance polyurea coating, Hi-End connectors and front trim lacquered finishing.

**MCA** Media Center  
Audiovisual

5 year guarantee

## Specifications

<b>Bass</b>	1 x 18" driver with 4" Voice Coil
<b>Horn</b>	Polar directivity
<b>Frequency</b>	From 30Hz.
<b>Power</b>	"700W AES, 1400W Prg. Nominal impedance 8 ohm"
<b>Sensitivity</b>	100dB/1W/1m. Max SPL 131.5dB
<b>Size</b>	1014 x 610 x 310 mm
<b>Weight</b>	Net 51 kg



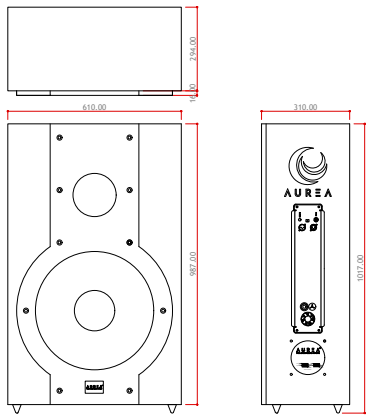
# Aurea 18 Sub DSP

This formidable and amazing subwoofer screen speaker was born to work with our Aurea 22 model. Our self-powered subwoofer features a 18" inch speaker to achieve the power of modern soundtrack bass lines, reaching 20Hz. Its integrated european-built amplifier with DSP includes 4 factory made presets that allow different frequency cuts at 60 and 80 Hz with phase inversion. It features a high resistance polyurea coating and front trim lacquered finishing.

- Presets included:
- 1.- Cut off 63Hz
  - 2.- Cut off 63Hz polarity reverse
  - 3.- Cut off 80Hz
  - 4.- Cut off 80 Hz polarity reverse

**MCA** Media Center  
Audiovisual  
5 year guarantee

Specifications	
<b>Bass</b>	1 x 18" driver with 4" Voice Coil
<b>Horn</b>	Polar directivity
<b>Frequency</b>	From 30Hz.
<b>Power</b>	"700W AES, 1400W Prg. Nominal impedance 8 ohm"
<b>Sensitivity</b>	100dB/1W/1m. Max SPL 131.5dB
<b>Size</b>	1014 x 610 x 310 mm
<b>Weight</b>	Net 52 kg



# Aurea 18 Sub Sub DSP

This formidable and amazing SUBSONIC subwoofer speaker was born to work with our Aurea 22. It's self-powered subwoofer features a 18" inch speaker in a closed box, to achieve the power of modern soundtrack bass lines, reaching (-3dB) 18Hz. Its integrated European-built amplifier with DSP includes 4 factory made presets that allow different frequency cuts at 60 and 80 Hz with phase inversion. It features a high resistance polyurea coating and front trim lacquered finishing.

Presets included:

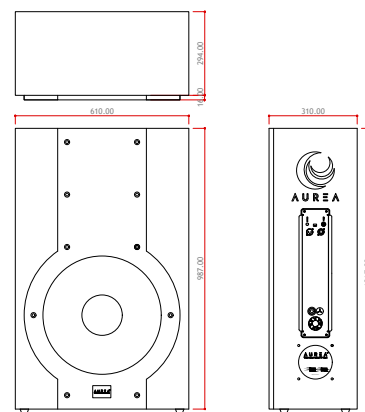
- 1.- Cut off 63Hz
- 2.- Cut off 63Hz polarity reverse
- 3.- Cut off 80Hz
- 4.- Cut off 80 Hz polarity reverse

**MCA** Media Center  
Audiovisual

5 year guarantee

## Specifications

<b>Bass</b>	1 x 18" driver with 4" Voice Coil
<b>Horn</b>	Polar directivity
<b>Frequency</b>	From 18Hz. (-3dB)
<b>Power</b>	"1000W AES, 2000W Prg. Nominal impedance 8 ohm"
<b>Sensitivity</b>	97dB/1W/1m. Max SPL 127dB
<b>Size</b>	1014 x 610 x 310 mm
<b>Weight</b>	Net 53 kg





# Aurea 21 Sub

This formidable and amazing subwoofer screen speaker was born to work with our Aurea 26 model. A human ear will perceive the response from 20Hz. Their skin will experience other frequencies, much more difficult to define. It is delivered with two pre-configurations: for external amplification or as a self-powered unit.

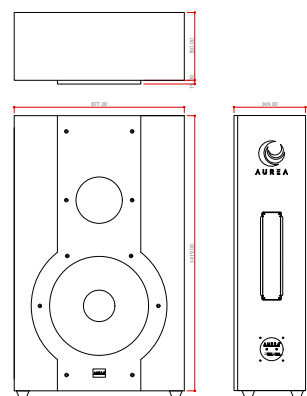
Our passive subwoofer unit features a 21" inch component to achieve the power and impact of modern soundtrack bass lines, reaching 20Hz. It features a high resistance polyurea coating, Hi-End connectors and front trim lacquered finishing. Designed for Dolby Atmos or any of the immersive sound systems on the market, cinemas VIP lounges, high-end Home Theaters or Dubbing Theaters.

**MCA** Media Center  
Audiovisual

5 year guarantee

## Specifications

<b>Bass</b>	1 x 21" driver with 4" Voice Coil
<b>Horn</b>	Polar directivity
<b>Frequency</b>	From 24Hz. (-3dB)
<b>Power</b>	"1400W AES, 2800W Prg. Nominal impedance 8 ohm."
<b>Sensitivity</b>	99.5dB/1W/1m. Half space. 136dB SPL peak
<b>Size</b>	1474 x 877 x 369 mm
<b>Weight</b>	Net 98 kg



# Aurea 21 Sub DSP

This formidable and amazing subwoofer screen speaker was born to work with our Aurea 26 DSP model. A human ear will perceive the response from 20Hz. Their skin will experience other frequencies, much more difficult to define. It is delivered with two pre-configurations: for external amplification or as a self-powered unit.

The latter uses its integrated european-built amplifier with DSP that includes 4 factory made presets and allow different frequency cuts at 60 and 80 Hz with phase inversion, providing up to 1400W. Designed for Dolby Atmos and Barco Auro installations, cinemas VIP lounges, high-end Home Theatres or Dubbing Theaters. It features a high resistance polyurea coating and front trim lacquered finishing.

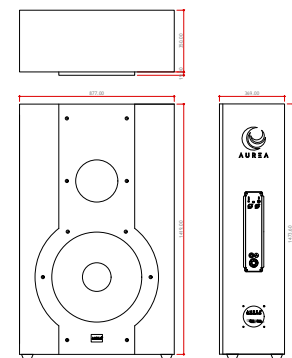
Presets included:

- 1.- Cut off 63Hz
- 2.- Cut off 63Hz polarity reverse
- 3.- Cut off 80Hz
- 4.- Cut off 80 Hz polarity reverse

**MCA** Media Center  
Audiovisual  
5 year guarantee

## Specifications

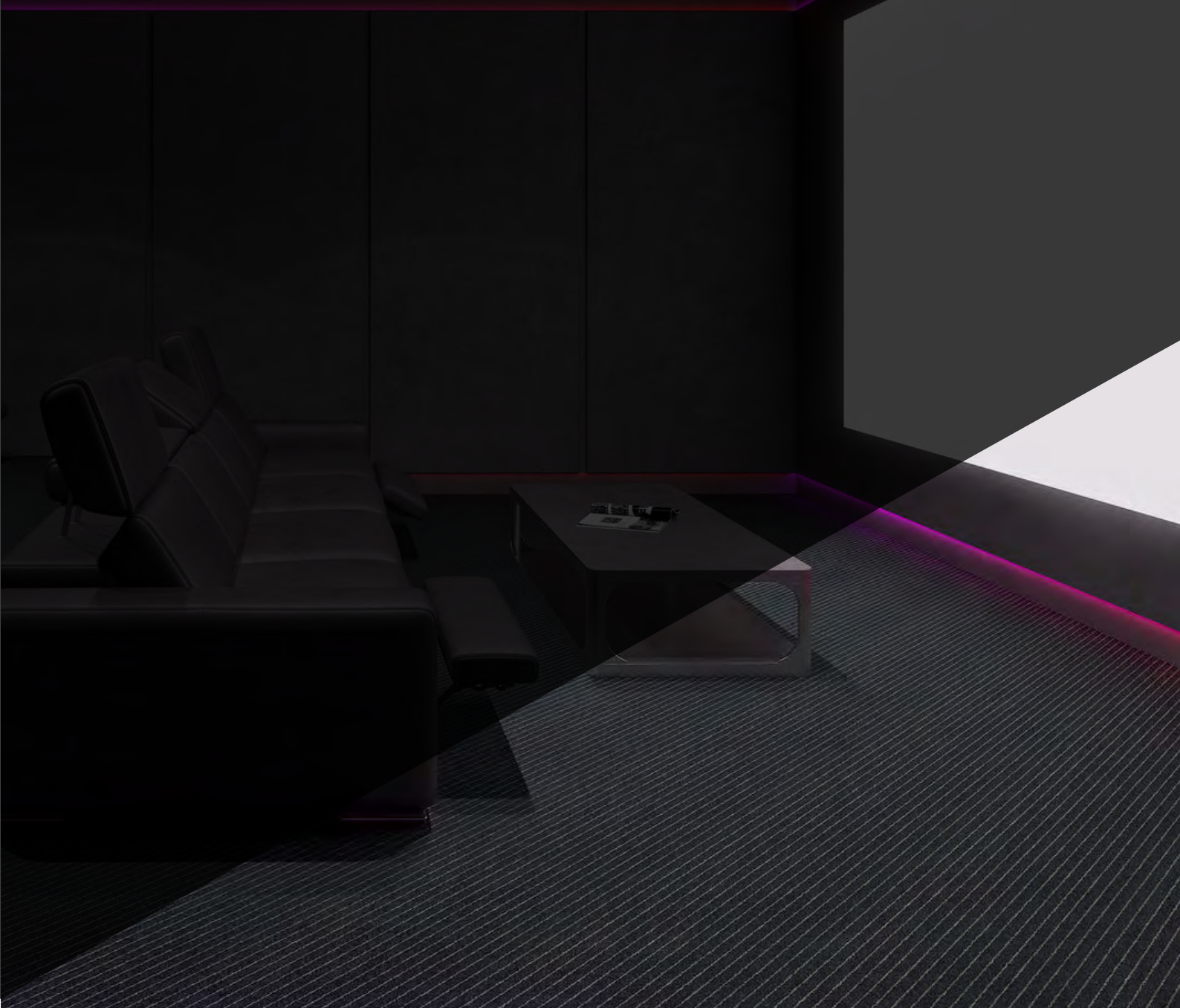
<b>Bass</b>	1 x 21" driver with 4" Voice Coil
<b>Horn</b>	Polar directivity
<b>Frequency</b>	From 24Hz. (-3dB)
<b>Power</b>	"1400W AES, 2800W Prg. Nominal impedance 8 ohm."
<b>Sensitivity</b>	99.5dB/1W/1m. Half space. 136dB SPL peak
<b>Size</b>	1474 x 877 x 369 mm
<b>Weight</b>	Net 100 kg



Our Home Cinema brand Aurea was born from our experience since 1992 in the manufacturing of loudspeaker and amplifiers for cinema under our commercial cinema brand LW Speakers, which sits behind the screens in the walls of thousands of cinemas around the world.

Over all those years we learnt that "Cinema Sound" is something very particular and different from other types of sound. It has to transmit dialogues, emotions, music and sound effects, many of them. And in order to achieve this the equipment reproducing "Cinema Sound", at both commercial cinemas or home cinemas, must be able to engage with the spectator senses and tell the story the way it was meant to be told by the filmmakers in a faithful way.

**And this is the meaning of our Aurea products claim "True Cinema Sound at Home". Because we know how to do this.**





## CONTACT US

Cabo de Trafalgar, 11  
28500 Arganda del Rey | Madrid, SPAIN  
Tel: +34 918 714 019 | [office@aureabylw.com](mailto:office@aureabylw.com)

AUREA®